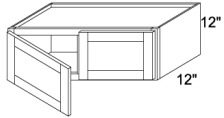
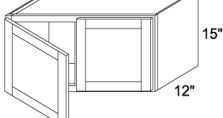
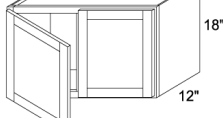
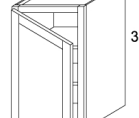
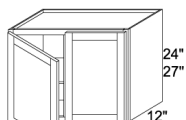
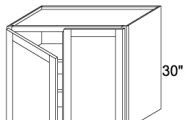
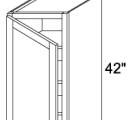
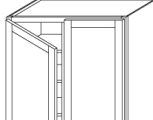
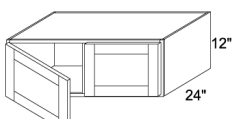
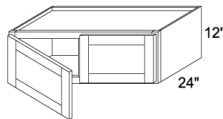
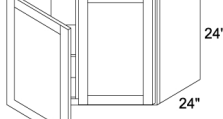
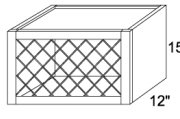

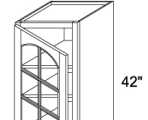
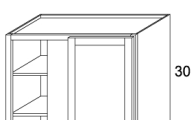
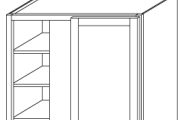
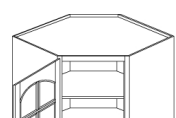

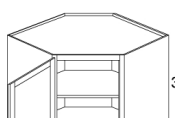

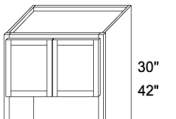
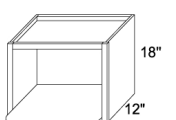
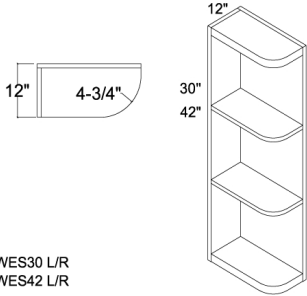
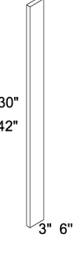


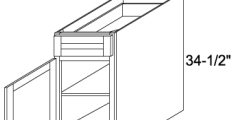
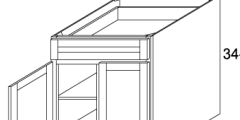
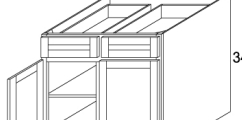
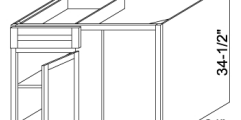
## Wall Cabinet Specifications

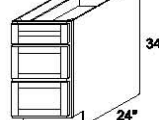
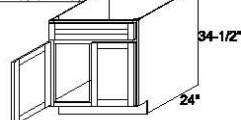
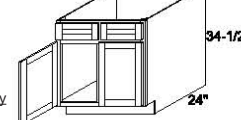
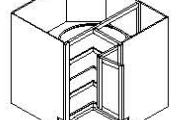
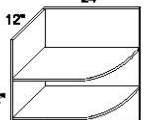
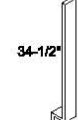
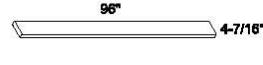
All double doors cabinets have the centered piece on the frame

|   |   |  |  |
|---|---|--|--|
| <p>Wall Double Door 12"H</p>  <p>W3612</p> <p>-No shelf</p>  | <p>Wall Double Door 15"H</p>  <p>W3015<br/>W3315<br/>W3615</p> <p>-No shelf<br/>Not available in increased depth</p>   | <p>Wall Double Door 18"H</p>  <p>W3018<br/>W3618</p> <p>-No shelf<br/>Not available in increased depth</p>          | <p>Wall Single Door 30"H</p>  <p>W0930<br/>W1230<br/>W1530<br/>W1830<br/>W2130</p> <p>-Two adjustable shelves</p>   |
| <p>Wall Double Door 24" and 27"H</p>  <p>W3024 W3027<br/>W3624 W3327<br/>W3627</p> <p>-One adjustable shelf<br/>Not available in increased depth</p>         | <p>Wall Double Door 30"H</p>  <p>W2430<br/>W2730<br/>W3030<br/>W3330<br/>W3630</p> <p>-Two adjustable shelves</p>  | <p>Wall Single Door 42"H</p>  <p>W0942<br/>W1242<br/>W1542<br/>W1842<br/>W2142</p> <p>-Three adjustable shelves</p> | <p>Wall Double Door 42"H</p>  <p>W2442<br/>W2742<br/>W3042<br/>W3342<br/>W3642</p> <p>-Three adjustable shelves</p> |
| <p>Wall Double Door 24" Deep 12"H</p>  <p>W241224</p> <p>-No shelf</p>   | <p>Wall Double Door 24" Deep 12"H</p>  <p>W301224<br/>W361224</p> <p>-No shelf</p>   | <p>Wall Double Door 24" Deep 24"H</p>  <p>W302424<br/>W362424</p> <p>-One adjustable shelf</p>                     | <p>Lattice Wall Cabinet</p>  <p>WC3015</p>  |
| <p>Wall Single Glass Door 30"H</p>  <p>GD-W1230<br/>GD-W1530<br/>GD-W1830<br/>GD-W2130</p> <p>-Mullion door, glass, and cabinet are each sold separately</p> | <p>Wall Single Glass Door 42"H</p>  <p>GD-W1242<br/>GD-W1542<br/>GD-W1842<br/>GD-W2142</p> <p>-Mullion door, glass, and cabinet are each sold separately</p> | <p>Wall Blind Corner Single Door</p>  <p>Two shelves<br/>WBC2730</p> <p>-Right shown<br/>-Adjustable shelves</p>    | <p>Wall Double Door 42"H</p>  <p>Three shelves<br/>WBC2742</p> <p>-Right shown<br/>-Adjustable shelves</p>          |
| <p>Wall Diagonal Corner Glass Door</p>  <p>GD-WDC2430</p> <p>-Mullion door, glass, and cabinet are each sold separately</p>                                 | <p>Wall Diagonal Corner Glass Door</p>  <p>GD-WDC2442</p>   | <p>Wall Diagonal Corner Cabinet</p>  <p>WDC2430</p> <p>Two adjustable shelves</p>                                  | <p>Wall Diagonal Corner Cabinet</p>  <p>WDC2442</p> <p>Three adjustable shelves</p>                                |
| <p>Wall Microwave shelf Cabinet 30" 42"H</p>  <p>MWC3042*12</p>  | <p>Wall Microwave shelf Cabinet</p>  <p>MS3018*12</p>  | <p>Wall End Open Shelf</p>  <p>WES30 L/R<br/>WES42 L/R</p>  | <p>Filler</p>  <p>FS30<br/>FS42<br/>FS642</p> <p>-1/2" Solid wood</p>   |

## Base Cabinet Specifications


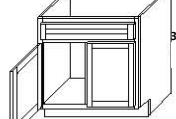
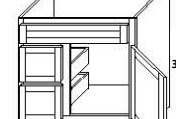
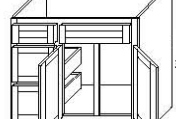
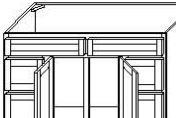
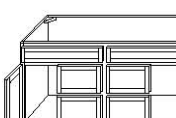
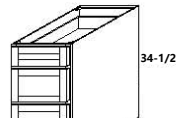
All double doors cabinets have the centered piece on the frame

|   |  |  |   |
|---|--|--|---|
| <p>Base Single Door</p>  <p>B09<br/>B12<br/>B15<br/>B18<br/>B21</p> <p>-One adjustable, half depth shelf</p> | <p>Base Double Door</p>  <p>B24<br/>B27<br/>B30<br/>B33 (for SB, SHMS, SHMG)</p> <p>-One adjustable, half depth shelf</p> | <p>Base Double Door Double Drawer</p>  <p>B33 for RO only<br/>B36</p> <p>-Double drawer<br/>-One adjustable, half depth shelf</p> | <p>Base Blind Corner</p>  <p>BBC43-47 L/R</p> <p>-Blind panel (stile) is 8" wide<br/>-Door is hinged from blind panel<br/>-Filler included</p> |
|---|--|--|---|

|   |  |  |   |
|---|--|--|---|
| <p>Base Three Drawer</p>  <p>DB15-3<br/>DB18-3<br/>DB21-3<br/>DB24-3</p> <p>-One standard drawer<br/>-Two deep drawers</p> | <p>Sink Base</p>  <p>SB30<br/>SB33 (for SB, SHMS, SHMG)</p> <p>-No shelf</p>  | <p>Sink Base</p>  <p>SB33 for RO only<br/>SB36</p> <p>-No shelf</p> | <p>Easy Reach Lazy Susan</p>  <p>DCB33<br/>DCB36</p> |
| <p>Base End Open Shelf</p>  <p>BES L/R</p> <p>-Three fixed shelves</p>   | <p>Base Filler</p>  <p>BF3</p> <p>-Top kick shipped attached<br/>-1/2" Solid wood<br/>-Laminates are painted hardwood</p> | <p>Toe kick</p>  <p>TK8</p> <p>-1/2" thick Plywood</p>              |   |

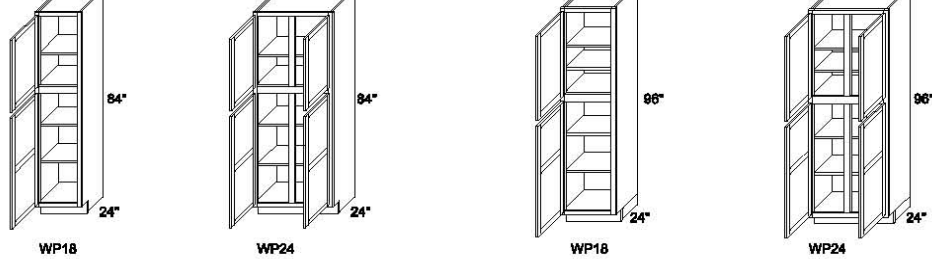
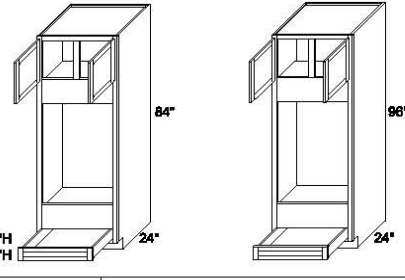
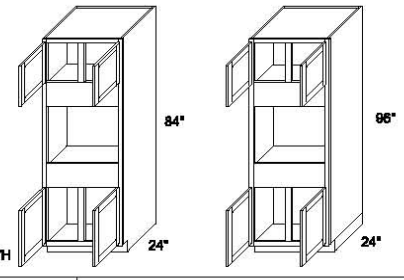
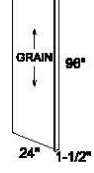
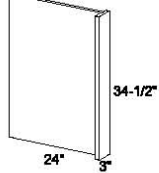
## Vanity Cabinet Specifications

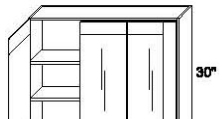
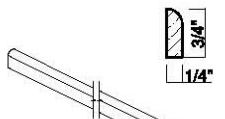
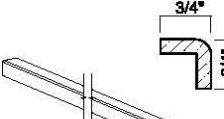
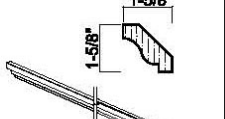
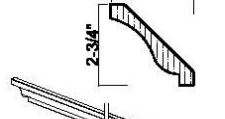
All double doors cabinets have the centered piece on the frame

|  |  |   |  |
|--|--|---|--|
| <p>Vanity Sink Base Single Door</p>  <p>16" Deep<br/>VA1816</p>   | <p>Vanity Sink Base Double Door</p>  <p>21" Deep 18" Deep<br/>VA2421 VA2418<br/>VA2721 VA3018<br/>VA3021</p> <p>-Double doors and single drawer front</p> | <p>Vanity Combination Drawer</p>  <p>18" Deep<br/>VA3018 D L or R</p> <p>21" Deep<br/>VA3021 D L or R</p> <p>-Two deep drawers</p> | <p>Vanity Combination Drawer</p>  <p>18" Deep<br/>VA3618 D L or R</p> <p>21" Deep<br/>VA3621 D L</p> <p>-Two deep drawers</p> |
| <p>Vanity Combination Drawer</p>  <p>18" Deep<br/>VA4818 D L or R</p> <p>21" Deep<br/>VA4221 D LR or R<br/>VA4821 D LR or R<br/>VA6021 D LR or R<br/>VA7221 D LR or R</p> <p>-Four deep drawers<br/>-Double doors cabinet</p> | <p>Vanity Sink Base Four Drawer</p>  <p>21" Deep<br/>VA6021 DC<br/>VA7221 DC</p> <p>-Four drawer stack in center</p>                                      | <p>Vanity Base Drawer</p>  <p>21" Deep<br/>VDB12<br/>VDB15</p> <p>-One standard drawer<br/>-Two deep drawers</p>                   |  |

## Tall Cabinet Specifications

All double doors cabinets have the centered piece on the frame

|  |   |  |   |   |
|--|---|--|---|---|
| <p>Utility Cabinets 24" Deep</p>  <p>84" High<br/>WP1884<br/>WP2484</p> <p>96" High<br/>WP1896<br/>WP2496</p> <p>*Includes 2 adjustable shelves<br/>*Extra Shelves are available for purchase</p> <p>WP18 WP24 WP18 WP24</p> <p>*Pictures shown with extra shelves</p> | <p>Oven Cabinet-Double w/3" Stiles</p>  <p>84" High<br/>OVS3384</p> <p>96" High<br/>OVS3396</p> <p>Minimum cutout opening is 28-7/8" W*56"H<br/>Maximum cutout opening is 31-1/2" W*63"H</p> | <p>Oven Cabinet-single w/3" Stiles</p>  <p>84" High<br/>OVS3384</p> <p>96" High<br/>OVS3396</p> <p>Minimum cutout opening is 28-7/8" W*22"H<br/>Maximum cutout opening is 31-1/2" W*33-1/8"H</p> | <p>Refrigerator panel</p>  <p>RR96</p> <p>-1/2" thick Plywood<br/>-1-1/2" Solid wood</p> | <p>Dishwasher End Panel</p>  <p>DWR3 L/R</p> <p>-1/2" thick Plywood<br/>-3" Solid wood</p> |
|--|---|--|---|---|

|   |   |   |   |
|---|---|---|---|
| <h2>Mirror Cabinet Specifications</h2>  |   |   |   |
| <p>Tri View Mirror</p>  <p>TRV2430<br/>TRV3030<br/>TRV3630<br/>TRV4830</p> |   |   |   |
| <h2>Molding</h2>  |   |   |   |
| <p>Scribe Molding</p>  <p>SM8</p> <p>-Solid wood</p>                       | <p>Outside Corner Molding</p>  <p>OCM6 WD</p> <p>-Solid wood</p> | <p>Crown Molding-1-5/8"</p>  <p>CM1-5/8</p> <p>-Solid wood</p> | <p>Crown Molding-2-3/4"</p>  <p>CM2-3/4</p> <p>-Solid wood</p> |