

ASSEMBLY INSTRUCTIONS  
OVEN CABINET ( OVD3094 )

CABINET PARTS LIST

A-Door & Face Frame B-Side Panels(2) C-Shelf D-Top/Medium/Bottom Panel(4)  
E-Back Panel H-Toe Kick G-Drawer Part

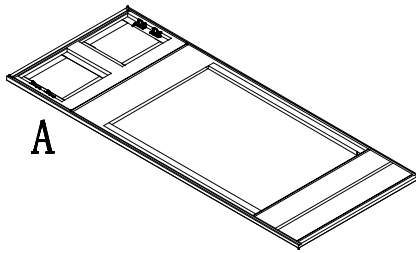
DRAWER PARTS LIST

a-Front(1) b-Sides(2) c-Bottom(1) d-Back(1) e-Drawer Slides(1 pr) f-Screws( $\phi$  3\*30- 8)

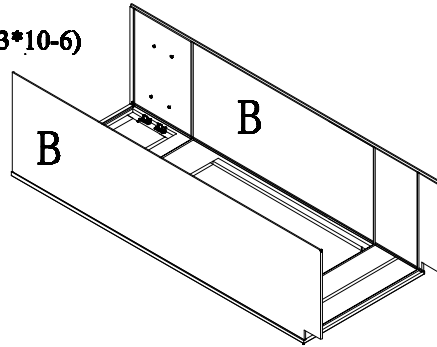
HARDWARE PARTS LIST

1. Shelf Clips (4) 2. Screws( $\phi$  3\*10-6)

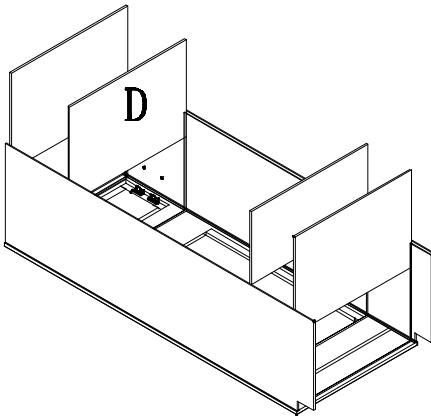
STEP1



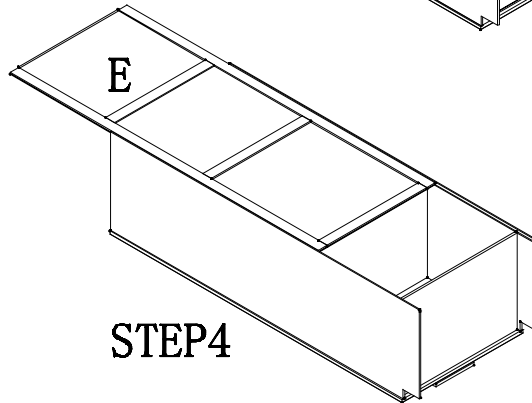
STEP2



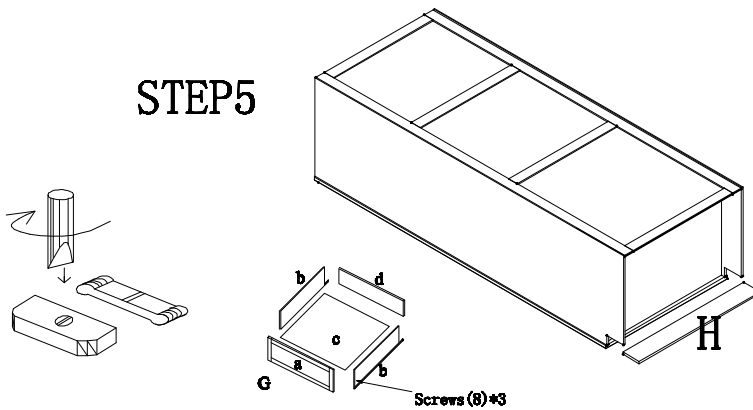
STEP3



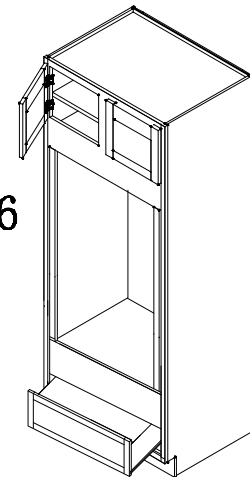
STEP4



STEP5



STEP6



Your cabinet is complete. For installation, consult a professional contractor or building supplier for the proper installation method or materials to be used for your existing wall condition (e.g., wood, concrete, tile, etc.).